



HyPanel Lux Quick Guide



» **Welcome!**

This guide applies to RT61-R2-EU model of HyPanel Lux.

» Contents

- **Before We Start** _____ 2 •
- **In the Box** _____ 3 •
- **Check Compatibility** _____ 4 •
- **Wiring** _____ 6 •
- **Installation** _____ 10 •
- **Get Help** _____ 13 •



Before We Start

Your first time installing this product may take up to 40 minutes.
You'll get faster after each installation.



Warning

The installation procedure involves handling high voltage wiring. Please be careful. To avoid serious personal injury, death, or property damage, turn OFF the power to the circuit and follow all safety precautions before proceeding.

Working with electricity can be dangerous. If you are unsure about, or uncomfortable with the installation, seek the help of a qualified electrician.

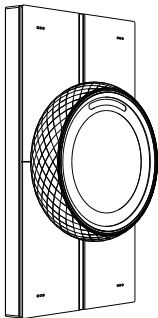


Warning

Keep the device and all its parts out of the reach of children. The small parts or accessories contained may be a choking hazard to them.



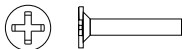
In the Box



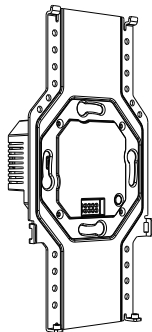
HyPanel Lux **x1**



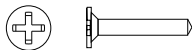
Silicone Washer **x6**



M4x20mm Phillips Machine Screw **x2**



Flush Mounted Module **x1**



ST3x20mm Phillips Self Tapping Screw **x2**

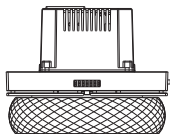


M2x5mm Phillips Machine Screw **x2**

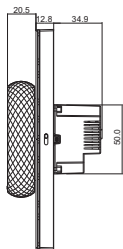


Check Compatibility

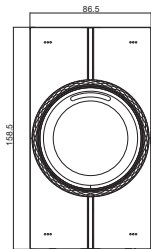
Product dimensions



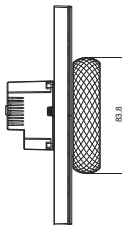
⑥ TOP VIEW



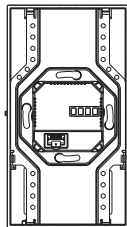
② RIGHT VIEW



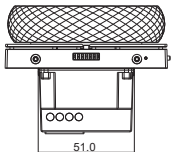
① FRONT VIEW



③ LEFT VIEW



④ BACK VIEW



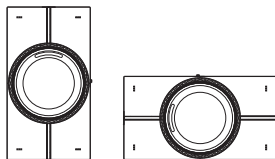
⑤ BOTTOM VIEW



Working space

Make sure HyPanel Lux is compatible with the location where you want to install it.

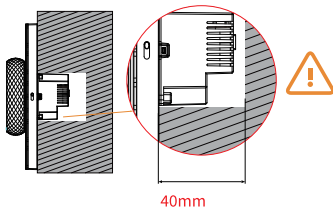
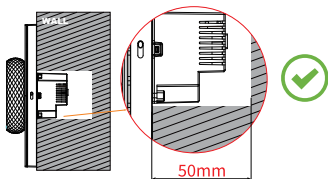
A 50mm(2 inches) deep electrical box is highly recommended for ease of installation. In some scenarios, especially when the wires can be pushed back into the wall far enough, it may be possible to use a 40mm(1.6 inches) deep box.



① HYPANEL LUX FRONT VIEW

1100-1600mm TO BOTTOM OF PANEL

ADA Compliance Requirement



② SIDE VIEW:HYPANEL LUX IN WALL



Maximum load



The total load of the device(s) connected to the flush mounted module must be less than 1200W(Max load).



The wattage of a resistive load appliance, e.g., an incandescent bulb, must be less than 800W.




The wattage of a LED lamp or compact fluorescent lamp (CFL) must be less than 400W.




You must check the load compatibility before connecting other types of devices that are not mentioned above.




180~260V/50 HZ power required

-  If you are in the 110V country or region, you have to use an isolation transformer to step up 110V voltage to 220V before it can be used for HyPanel Lux.

Neutral wire required for installation

-  A neutral wire is required for the device to function properly.

Support Wi-Fi and Ethernet connections

-  HyPanel Lux can operate with both wireless and wired networks, but a wired connection is recommended for greater reliability and faster data exchange.

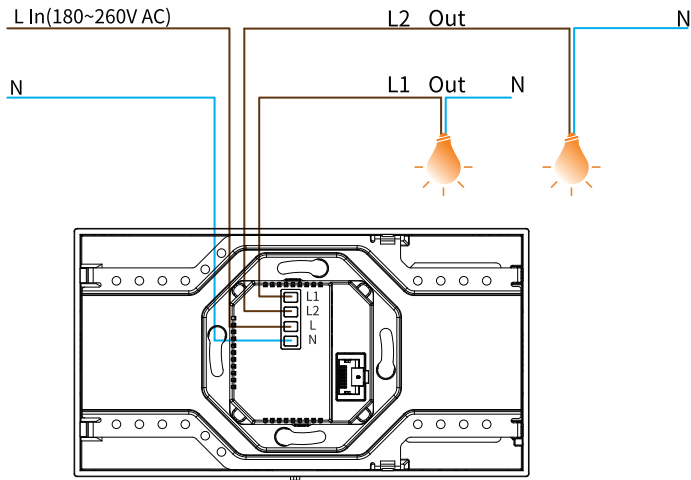
Wiring



Turn OFF the circuit breaker before wiring and proceeding!
Always use a voltage detector to verify the power is OFF
before wiring and installation!



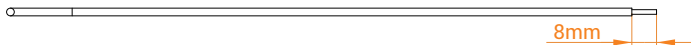
Identify wires



- A Neutral wire(N) typically comes from the wall.
- The Line wire(L) provides 180-260 Volts of power to the HyPanel Lux.
- L1 and L2 are Load wires that connect the HyPanel Lux to the light bulbs or other devices, e.g., fans or curtain motors.

Connect wires

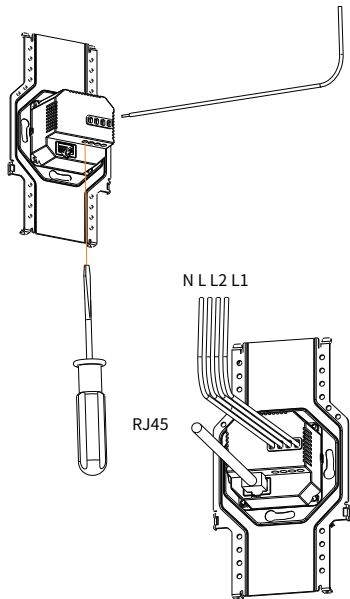
① Strip and straighten wires



- Wires connected to your HyPanel Lux should be $1.5\text{mm}^2 \sim 2.5\text{mm}^2$ in size and must have stripped and straight ends.
- Remove the plastic sheathing of the wire, and make sure the exposed wire ends measure approximately 8 mm (5/16 inch) in length.



② Connect all wires



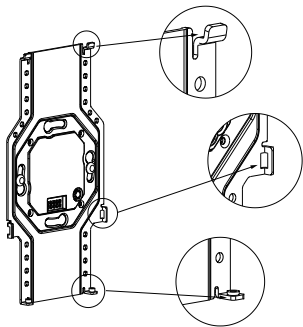
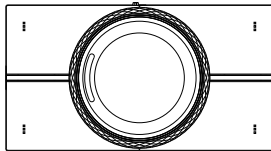
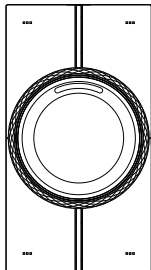
- Plug the wires to the corresponding ports on the back of the flush mounted module.
- Tighten the screws clockwise with a flat-head screwdriver until wires are secure.

- Double check by gently tugging on each wire.
- Plug the RJ45 network cable to the Ethernet port if you need to use the wired network.



Installation

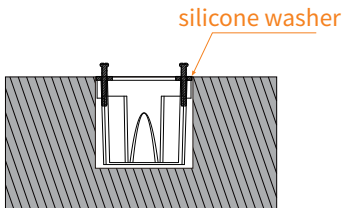
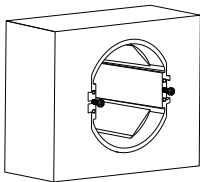
① Confirm installation direction



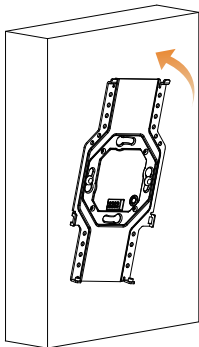
- HyPanel Lux can be either vertically or horizontally installed.
- If you want to mount the flush mounted module vertically, we strongly recommend that you have its clips on the top and the screw holes at the bottom.



② Select screws

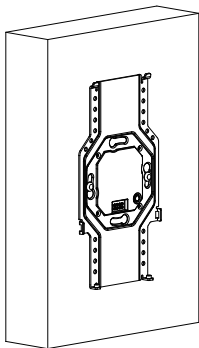


- Select the proper screws fitting your electrical box.
- Change the torque on the electric screwdriver to 5kgf.cm.
- Turn the screws clockwise with a screwdriver.
- Do not fully tighten the screws. The screw head must protrude at least 3 mm (1/8 inch) from the wall surface.
- If the electrical box sets deep into the wall, place over the silicone washer(s) lining up the screw hole to make up the gap.
- The washer surface should be flush with the wall or less than 1 mm (1/32 inch) extended.



③ Install flush mounted module

- Attach the flush mounted module to the electrical box. The screws should go through the holes on the module.

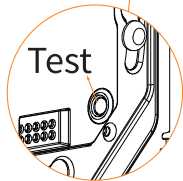
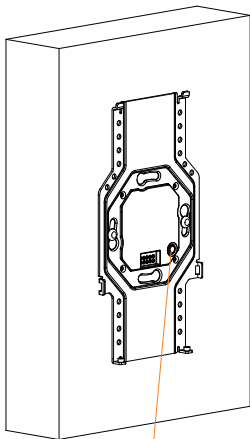


- Adjust the module to be level and ensure it is flush against the wall.
- Tighten the screws to attach the module to the wall, taking care not to over-tighten them.





④ Test connected devices



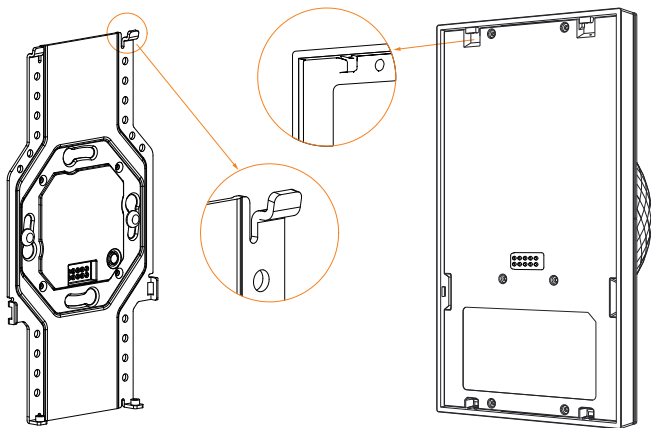
- Turn on the circuit breaker to provide power to the flush mounted module.
- Press the button on the module to check if the connected devices can work.
 - Press the button once, one connected device (Relay 1) will be turned on/off.
 - Double-press the button, the other device (Relay 2) will be turned on/off.
 - Long press the button, two connected devices will be turned on/off simultaneously.

If the devices do not turn on/off, do NOT install the panel. Turn the power off and re-check the wire connections.

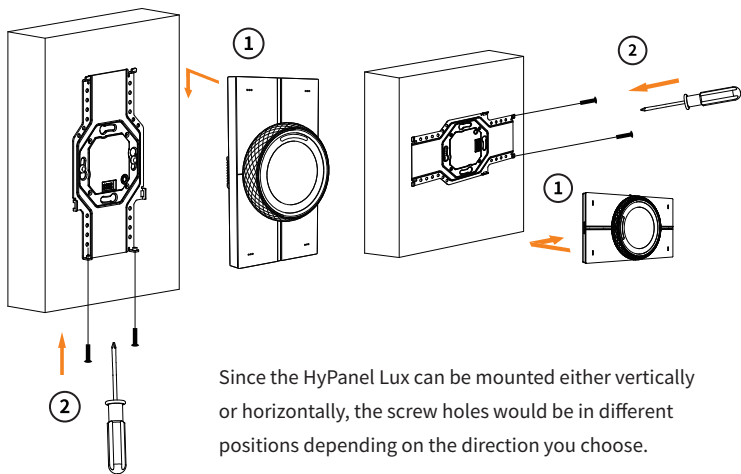
5 Install panel

! Warning

Turn OFF the circuit breaker before you install the panel.



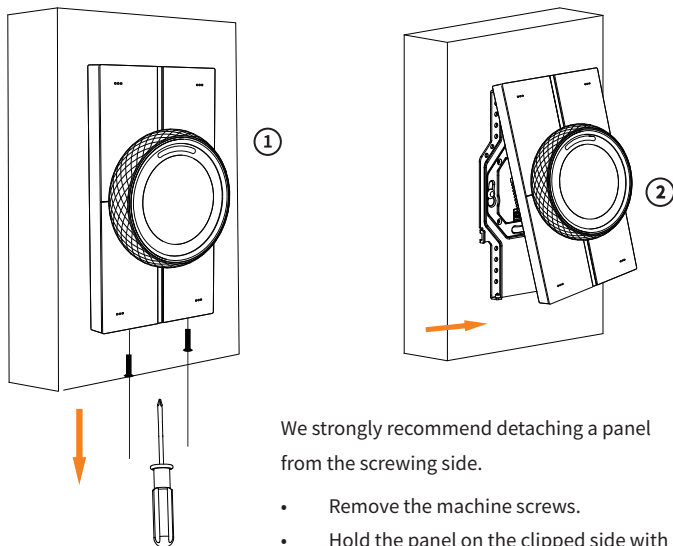
Line up the two clips on the flush mounted module with the notches on the panel. Snap the panel into place and press it down.



Since the HyPanel Lux can be mounted either vertically or horizontally, the screw holes would be in different positions depending on the direction you choose.

- Check the panel is properly clipped onto the module and is flush against the wall.
- Use two M2x5mm machine screws to secure the panel.

If you need to remove the panel



We strongly recommend detaching a panel from the screwing side.

- Remove the machine screws.
- Hold the panel on the clipped side with one hand, and pull the panel outwards from the screwing side.



Congratulations!

You are done with the HyPanel Lux installation!

Start your smart home journey with Akubela now!

Get help

For help or more assistance,
contact us at: <https://ticket.akuvox.com/>

For videos, guides, and additional product formation,
visit us at: <https://knowledge.akuvox.com>

